

TOOL FEATURES

1. Strong, compact machine mount connection
2. Solid steel nose assembly with protected depth control
3. Increased air reservoir for consistent driving
4. Anti-Jam magazine with rear quick release
5. Remote Fire Options:

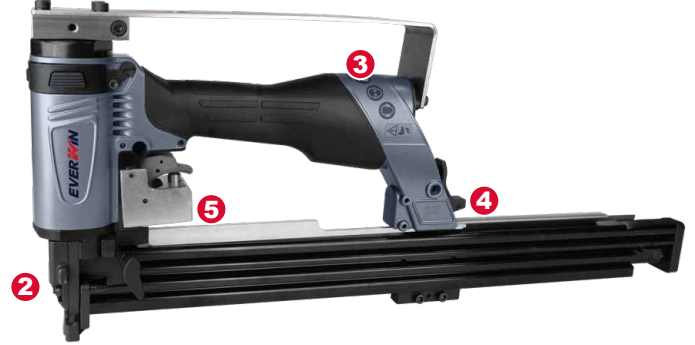


109779 Remote Trigger Block
(Sold Separately)
Actuation: Positive Pressure



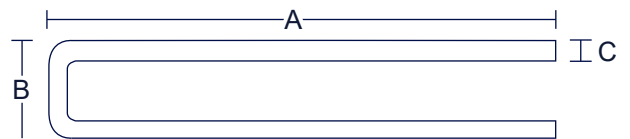
105291 SN41 Remote Control Valve
Actuation: Negative Pressure

1. 109769 mount sold separately



FASTENER SPECS

Type	16 GA. Bostitch BCS4 / Prebena WC
Loading Capacity	320
A	25~50mm (1"~2")
B	12.5mm (1/2")
C	1.6 x 1.4mm (0.062" x 0.055")



TOOL SPECS

Weight	2.8 kgs (6.17 lbs)
Height	225mm (8.9")
Width	64mm (2.5")
Length	585mm (23.1")
Operating Pressure	5~8 bar (70~120 psi)
Driving Power	176~237 In-lbs @100 psi
Applications	Furniture Framing, Machine Automation

